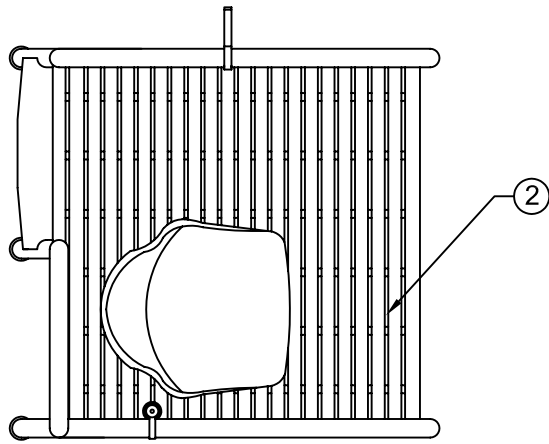
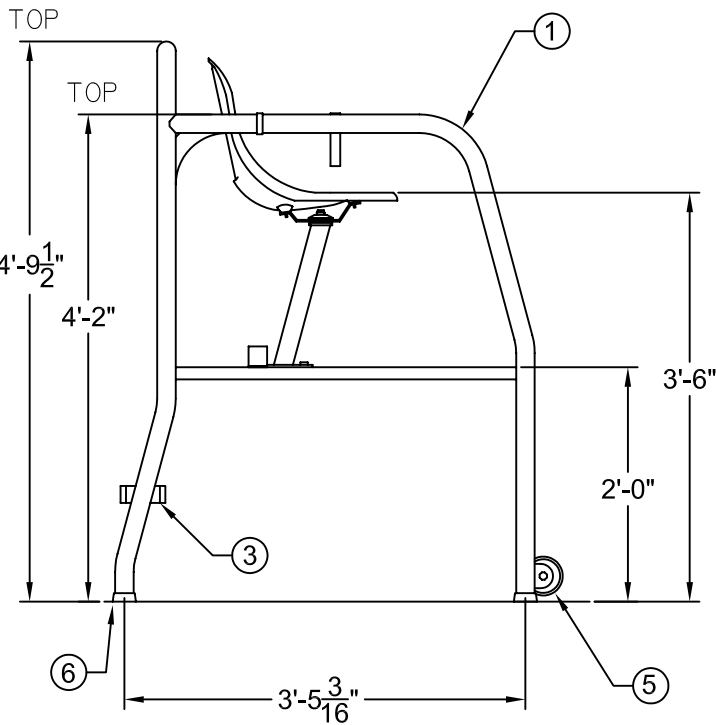
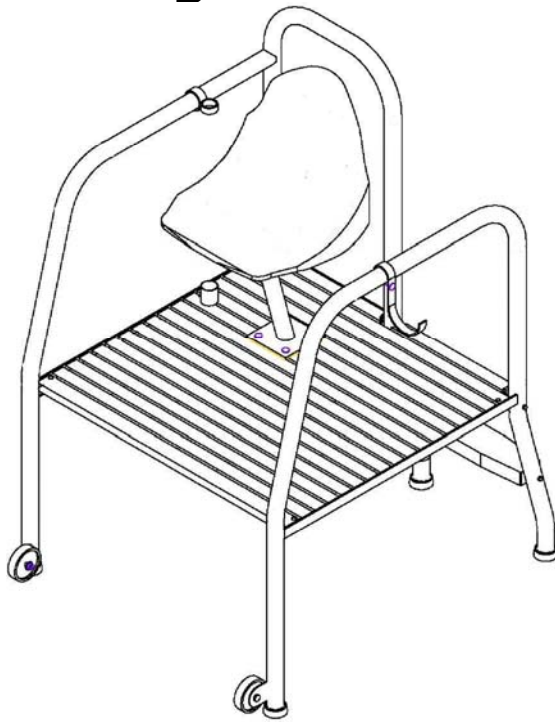


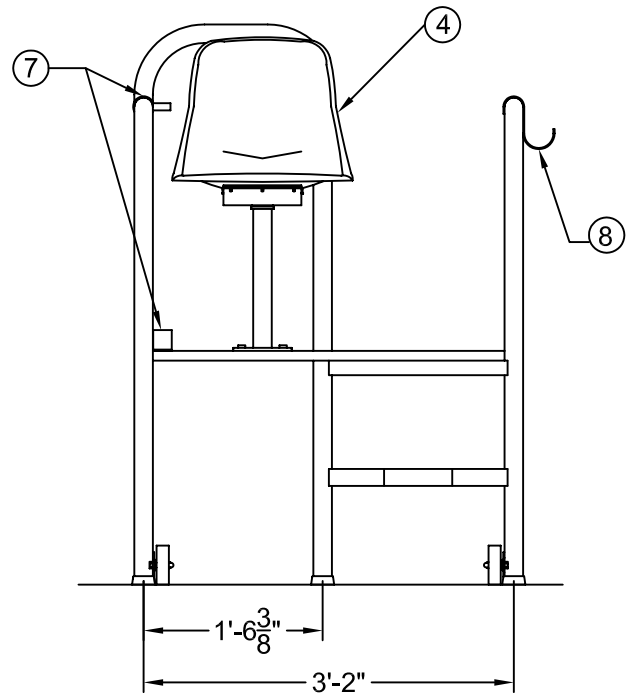
# Two-Step Lookout Lifeguard Chair



PLAN VIEW



SIDE VIEW



FRONT VIEW

Supersedes specification sheet dated 7/05

The data represents the latest knowledge available to us at time of presentation. However, Paragon Aquatics and others involved in gathering and presenting this drawing assume no liability for its use.



**PARAGON  
AQUATICS**

Pentair Water  
Commercial Pool & Aquatics

1351 Route 55  
LaGrangeville, New York  
12540  
Phone: 845-463-7200  
Fax: 845-463-7291  
www.paragonaquatics.com

Drawn by: SF Date: 6/27/08 Approved by: JMM Date: 6/27/08

Sheet Title: Two-Step Lookout Lifeguard Chair

Drawing Number: SS-LG20.31-2 Revision Letter: C Sheet: 1 of 2

# Two-Step Lookout Lifeguard Chair

Part Number: **20360**

## Specifications

- ① The lifeguard chair superstructure shall be manufactured of ASTM A-554 certified 1.90" x .065" wall thickness Type 304 stainless steel polished to a 320 grit finish. The platform decking frame shall be made of 1 1/4" x 1 1/4" x 3/16" thick Type 304 stainless steel angle, polished to a 320 grit finish.
- ② The main platform decking shall be a resin coated fiberglass reinforced grating in a "T" bar construction. The top surface shall have a white, non-skid surface. The decking shall recess into a stainless steel frame such that no portion of the side of the "T" bar shall be visible to the user. The overall platform area shall measure 36" x 38".
- ③ The rear step shall be made of white, UV stabilized, ABS plastic with an integral, non-skid surface. The step shall fit a 19" post spacing (center to center).
- ④ The fiberglass seat shall be mounted to a sloped, stainless steel support pedestal. The support pedestal shall allow the seat to be rotated a full 360°. The seat shall be located at a height of 3'-6" (42") above the pool deck.
- ⑤ Wheel brackets with 4" wheels, shall be welded to the superstructure to allow for easy moveability to and from locations on the pool deck.
- ⑥ The posts of the superstructure shall have rubber bumpers installed on them to prevent damage to pool deck tile, as well as to aid in preventing movement of the chair while in use.
- ⑦ The lifeguard chair shall be provided with an umbrella ring guide, attached to the superstructure, and umbrella base holder, attached to the fiberglass decking, as a means to attach an umbrella to the lifeguard chair. Appropriate high wind warning labels shall be provided on the platform superstructure.
- ⑧ The lifeguard chair shall be provided with a rescue tube/life ring holder which shall attach to the superstructure. The holder shall be removeable to locate it on either the right or left side of the chair.

## General

The stainless steel frame shall be electro-chemically passivated on all worked areas for maximum corrosion resistance. All bends shall be smooth and wrinkle free. All hardware shall be 18-8 stainless steel. Custom designs and modifications are available upon request.

## Accessories

ID Number Description

20701	Lifeguard Chair Seat (Turquoise)
20702	Seat Support and Swivel Assembly
20712	Umbrella Ring Guide
20717	Umbrella/Life Ring Holder
44104	19" Sloping ABS Step with Hardware
44201	White Rubber Bumper
75105	4" Polyolefin Wheel
93976	Two-Step Lookout Hardware Bag

The data represents the latest knowledge available to us at time of presentation. However, Paragon Aquatics and others involved in gathering and presenting this drawing assume no liability for its use.

© 2008 Paragon Aquatics



**PARAGON  
AQUATICS**

Pentair Water  
Commercial Pool & Aquatics

1351 Route 55  
LaGrangeville, New York  
12540  
Phone: 845-463-7200  
Fax: 845-463-7291  
www.paragonaquatics.com

Drawn by: SF	Date: 6/27/08	Approved by: JMM	Date: 6/27/08
Sheet Title: Two-Step Lookout Lifeguard Chair			
Drawing Number: SS-LG20.31-2	Revision Letter: C	Sheet: 2 of 2	