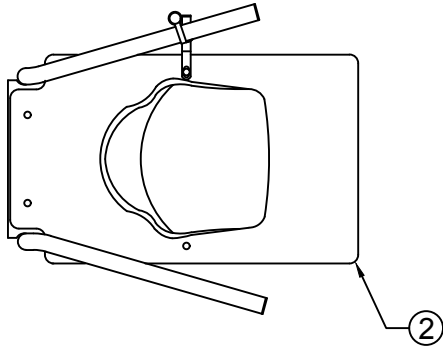
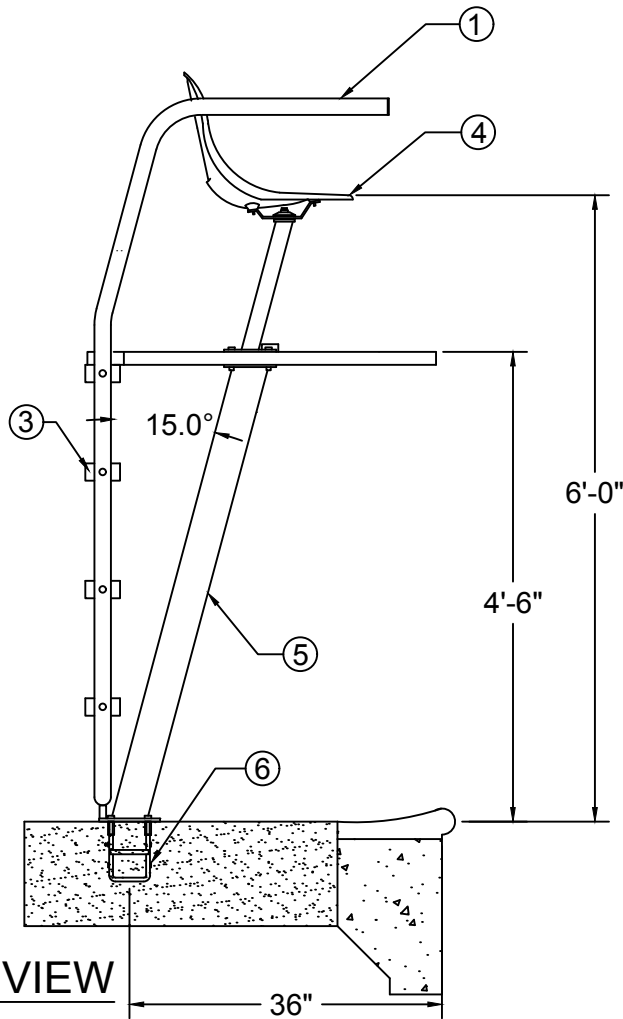
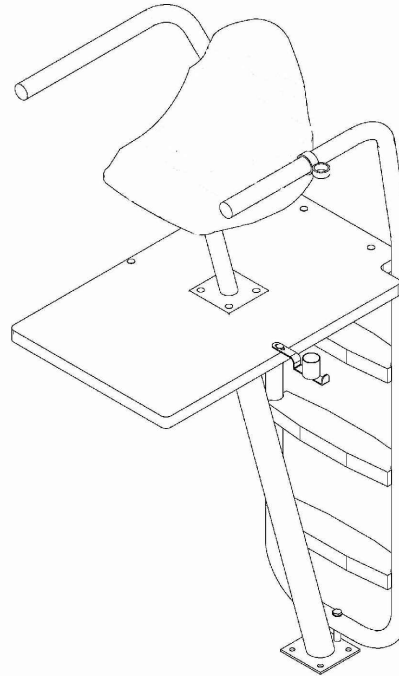


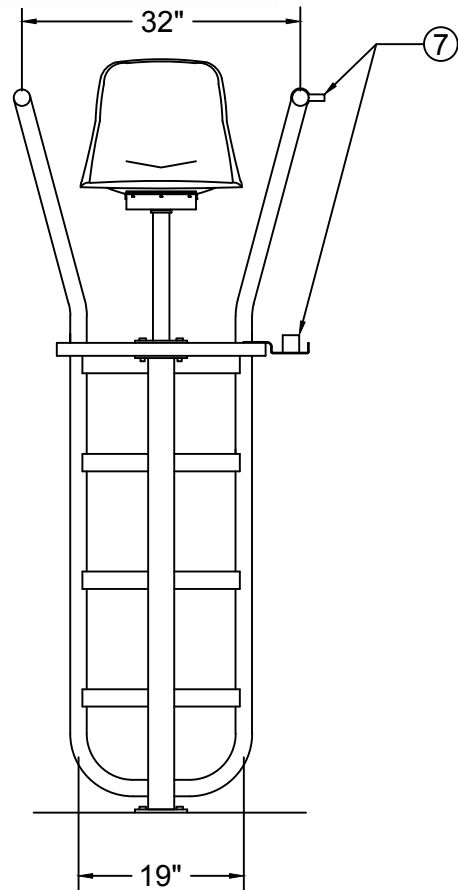
Paraflyte Club Lifeguard Chair



PLAN VIEW



SIDE VIEW



FRONT VIEW

The data represents the latest knowledge available to us at time of presentation. However, Paragon Aquatics and others involved in gathering and presenting this drawing assume no liability for its use.



1351 Route 55
LaGrangeville, NY 12540
Phone: 845-463-7200
Fax: 845-463-7291

Drawn by: RV Date: 5/29/19 Approved by: AL Date: 5/29/19

Sheet Title: Paraflyte Club Lifeguard Chair

Drawing Number: SS-LG10.47 Revision Letter: F Sheet: 1 of 2

Paraflyte Club Lifeguard Chair

Part Number: **21001**

Specifications

- ① The lifeguard chair superstructure shall be manufactured of ASTM A-554 certified 1.90" x .065" wall thickness Type 304 stainless steel polished to a 320 grit finish.
- ② The main platform decking shall be made of Douglas Fir coated in fiberglass reinforced with a polyester resin. The top surface shall have a white, integral non-skid surface. The overall platform area shall measure 40" x 24".
- ③ The mounting steps shall be made of white, UV stabilized, ABS plastic with an integral, 4" wide non-skid surface. The steps shall fit a 19" post spacing (center to center).
- ④ The fiberglass seat supported on a stainless steel tube structure, shall be capable of a 360 degree swivel and bearing surface shall use a low friction, non-metallic disc to prevent seizing or binding due to corrosion. The seat shall be located at a height of 6'-0" (72") above the pool deck.
- ⑤ The support pedestal shall be made of ASTM A-554 certified Ø3" x .120" wall thickness T304 stainless steel with 1/4" x 6", (4) hole square flanges fully welded to both ends yielding a 15° angle off vertical. The pedestal shall be polished to a 320 grit finish.
- ⑥ The support pedestal shall be anchored via a stainless steel anchor assembly which shall be fully embedded in a concrete deck. The pedestal shall be attached to the anchor using (4) Ø1/2" stainless steel hex head bolts. A bond screw shall be provided.
- ⑦ The lifeguard chair shall be provided with an umbrella ring guide, attached to the superstructure, and umbrella base/life ring holder, attached to the fiberglass decking, as a means to attach an umbrella to the lifeguard chair.

General

The stainless steel frame shall be electro-chemically passivated on all worked areas for maximum corrosion resistance. All hardware shall be 18-8 stainless steel. Custom designs and modifications are available upon request.

Accessories

ID Number	Description
20701	Lifeguard Chair Seat (Turquoise)
20702	Seat Support and Swivel Assembly
20712	Umbrella Ring Guide
20717	Umbrella/Life Ring Holder
20710	Footboard, Paraflyte Club Lifeguard Chair
44101	19" Vertical ABS Step with Hardware
21003	Support Pedestal, Stainless Steel for Club LGC
93973	Paraflyte Club Lifeguard Chair Hardware Bag

The data represents the latest knowledge available to us at time of presentation. However, Paragon Aquatics and others involved in gathering and presenting this drawing assume no liability for its use.



1351 Route 55
LaGrangeville, NY 12540
Phone: 845-463-7200
Fax: 845-463-7291

Drawn by: RV	Date: 5/29/19	Approved by: AL	Date: 5/29/19
Sheet Title:	Paraflyte Club Lifeguard Chair		
Drawing Number: SS-LG10.47	Revision Letter: F	Sheet: 2 of 2	