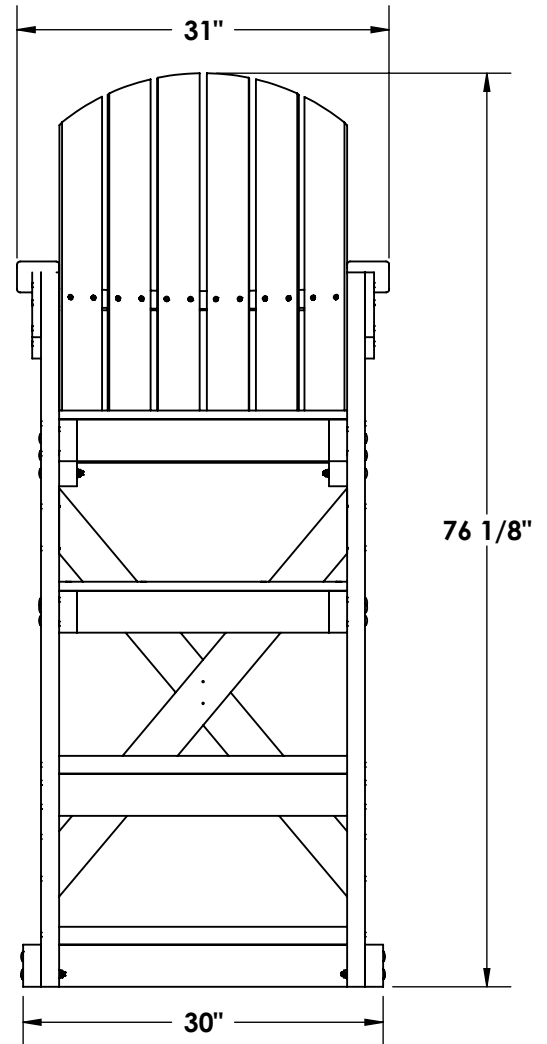
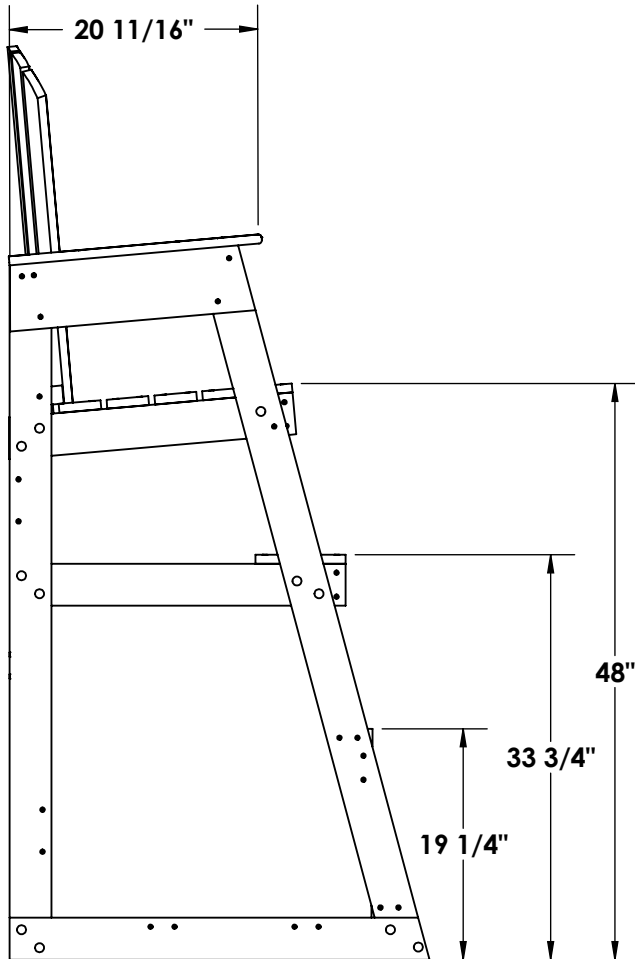
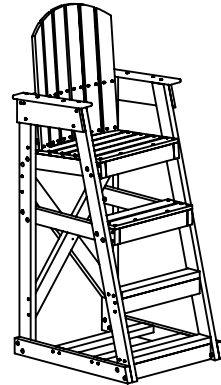
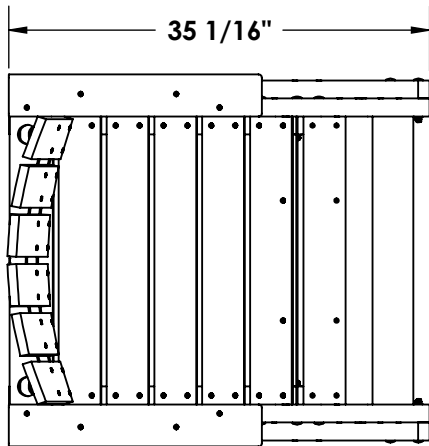


**GUARDIAN  
MODEL - 48" MENDOTA**



\*Note: Specifications are nominal and are subject to change.  
Please contact Spectrum Products for custom applications.

**SPECTRUM**  
Products

7100 Spectrum Lane  
Missoula, Montana 59808  
406.542.9781 \* 800.791.8056  
Fax: 406.542.1158  
www.spectrumproducts.com

**ENGINEERING DATA**

PRODUCT:	48" MENDOTA
PRODUCT #:	45023
REVISION:	A
MATERIAL:	HDPE