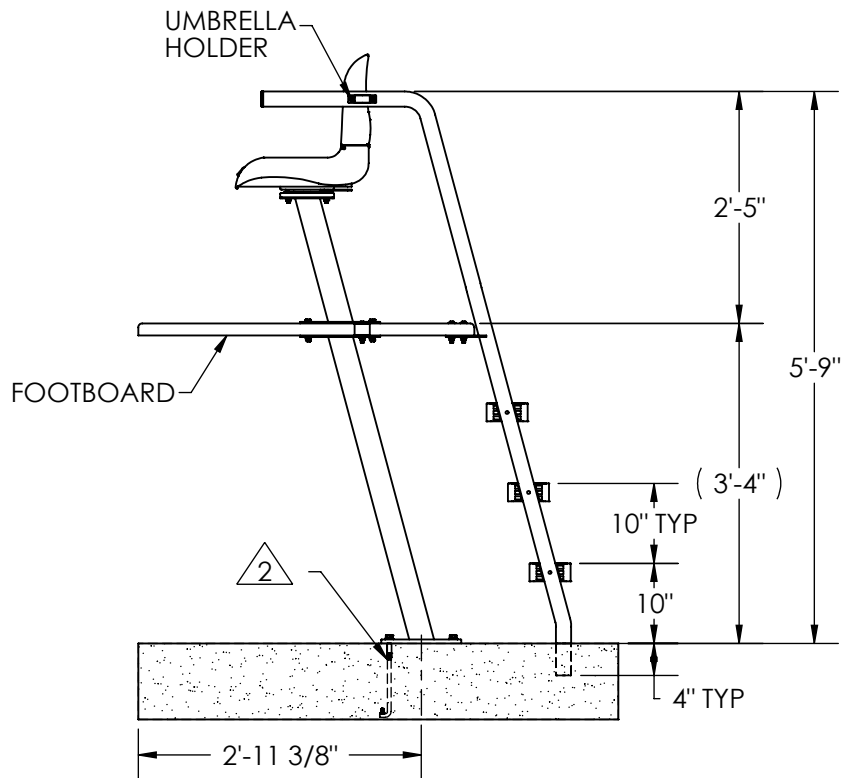
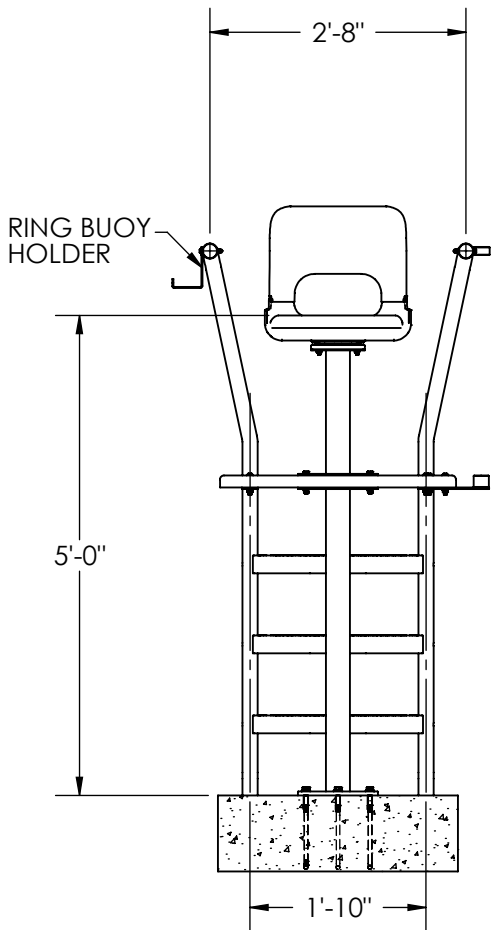
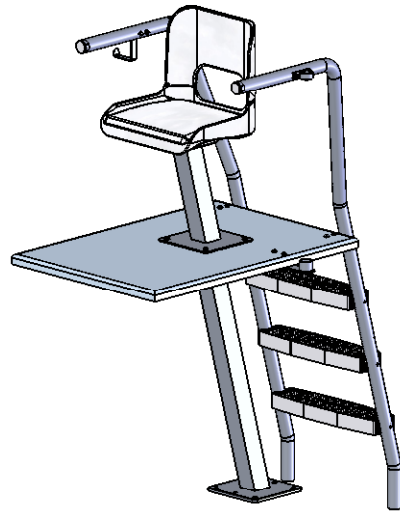


# GUARDIAN SERIES MODEL - 5' STIMSON



**NOTE:**

1 DIMENSIONS VARY WITH SPECIFIC APPLICATIONS.  
SPECIFICATIONS ARE NOMINAL AND ARE SUBJECT TO CHANGE.  
PLEASE CONTACT SPECTUM PRODUCTS FOR CUSTOM APPLICATIONS.

2 SAPPHERE ANCHOR NOT INCLUDED - #20021-00

**SPECTRUM**  
Products

7100 Spectrum Lane  
Missoula, Montana 59808  
406.542.9781 \* 800.791.8056  
Fax: 406.542.1158  
www.spectrumproducts.com

## ENGINEERING DATA

PRODUCT:	5' STIMSON
PRODUCT #:	57308
REVISION:	A
MATERIAL:	304 SERIES STAINLESS STEEL