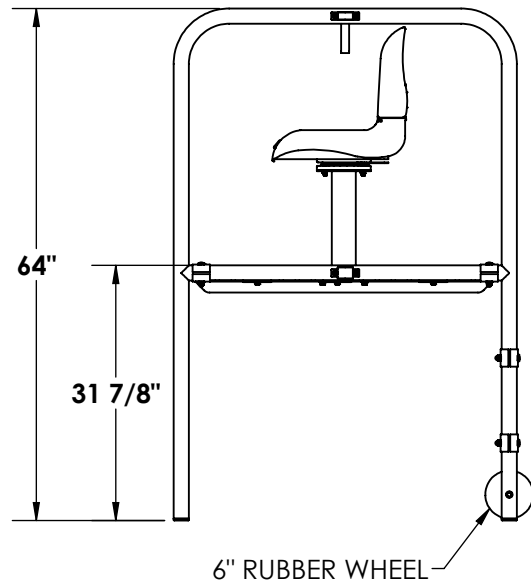
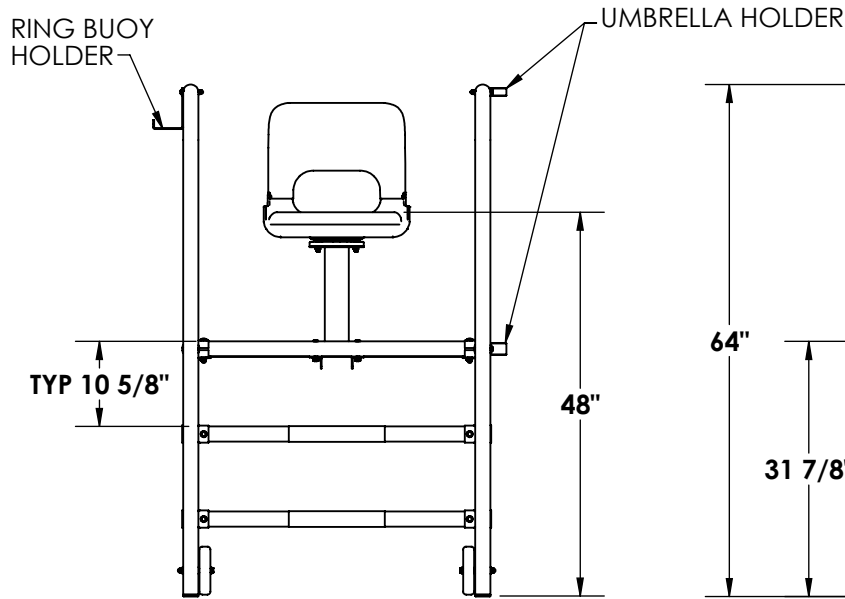
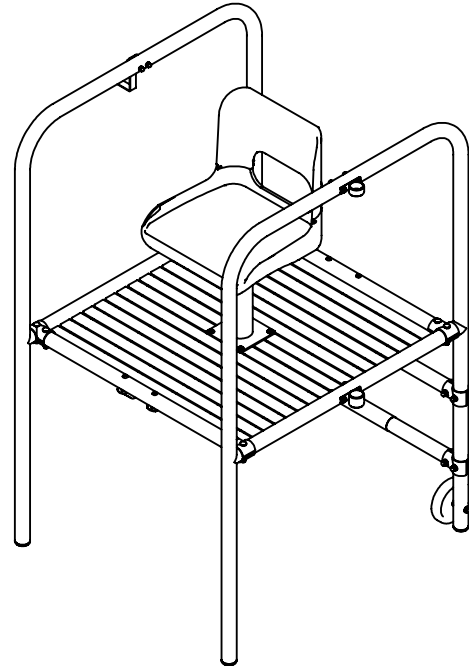
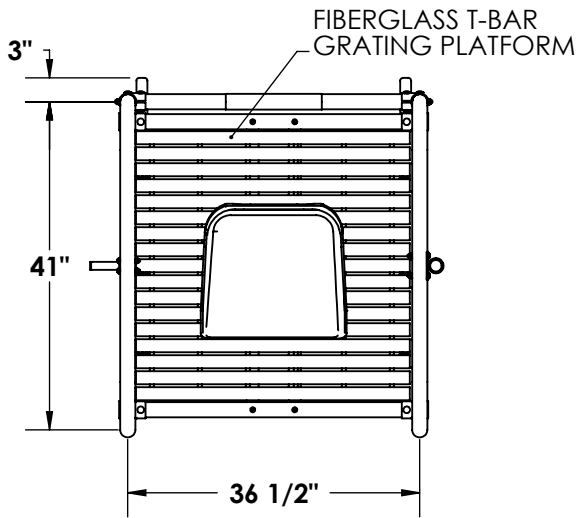


## GUARDIAN SERIES MODEL - TORREY II



Dimensions vary with specific applications.

\*Note: Specifications are nominal and are subject to change.

Please contact Spectrum Products for custom applications.

**SPECTRUM**  
Products

7100 Spectrum Lane  
Missoula, Montana 59808  
406.542.9781 \* 800.791.8056  
Fax: 406.542.1158  
www.spectrumproducts.com

### ENGINEERING DATA

PRODUCT:	TORREY II
PRODUCT #:	20215
REVISION:	A
MATERIAL:	304 STAINLESS STEEL (UNS S30400)