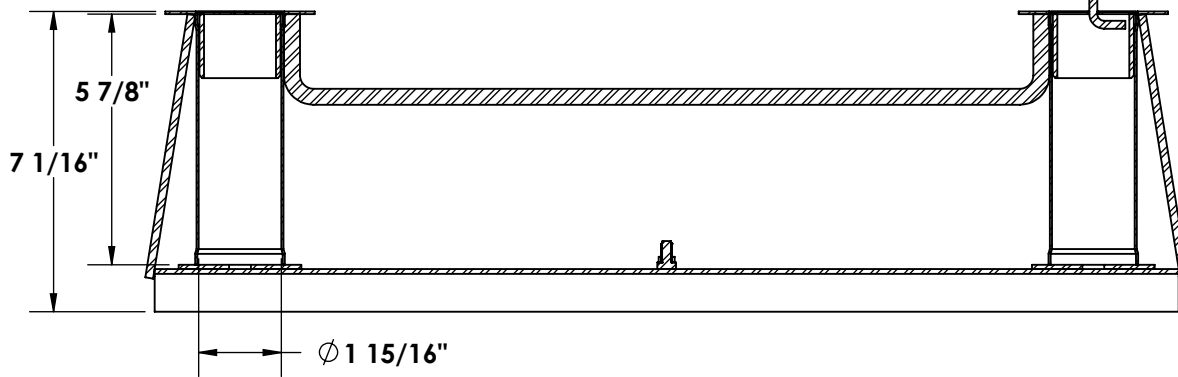
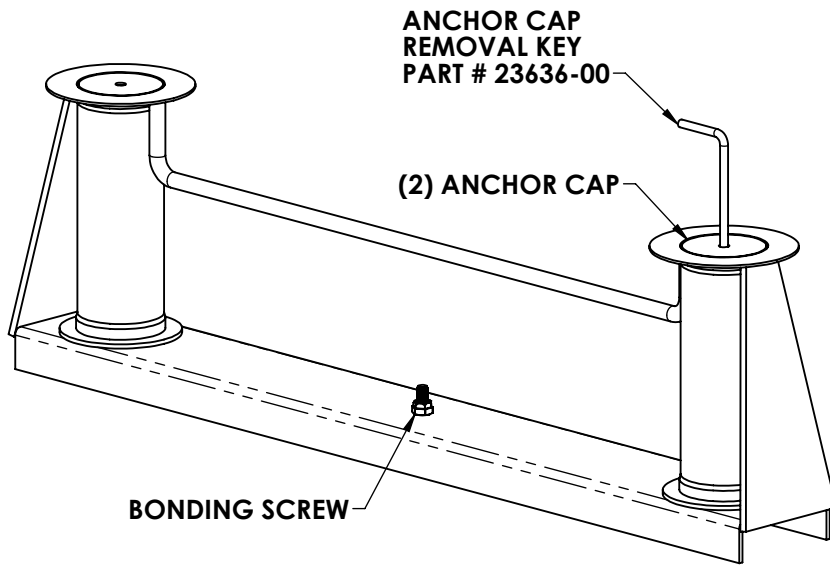
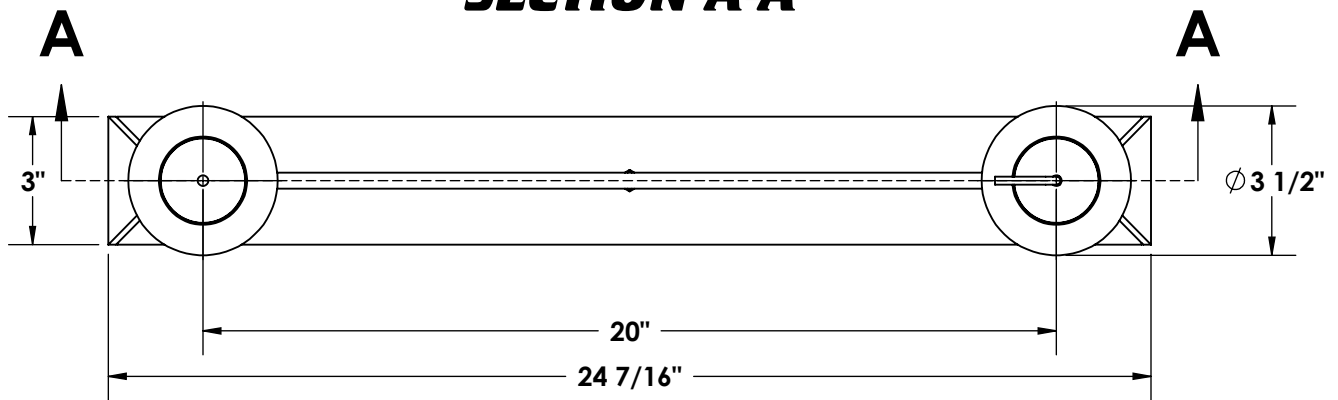


ANCHORS AND ACCESSORIES MODEL - DUAL POST ANCHOR



SECTION A-A



 Dimensions vary with specific applications.

*Note: Specifications are nominal and are subject to change.

Please contact Spectrum Products for custom applications.

SPECTRUM
Products

7100 Spectrum Lane
Missoula, Montana 59808
406.542.9781 * 800.791.8056
Fax: 406.542.1158
www.spectrumproducts.com

ENGINEERING DATA

PRODUCT:	DUAL POST ANCHOR
PRODUCT #:	24070-00
REVISION:	A
MATERIAL:	304 STAINLESS STEEL (UNS S30400)