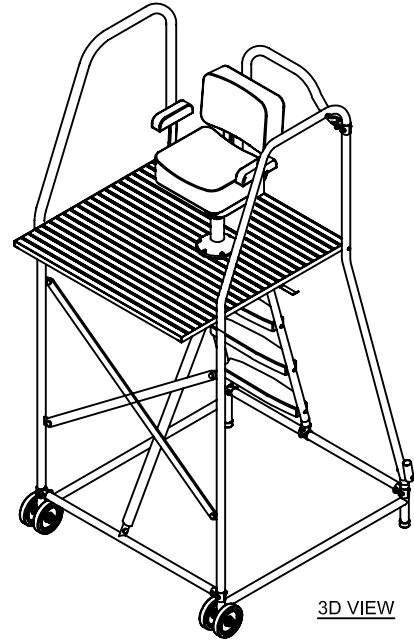
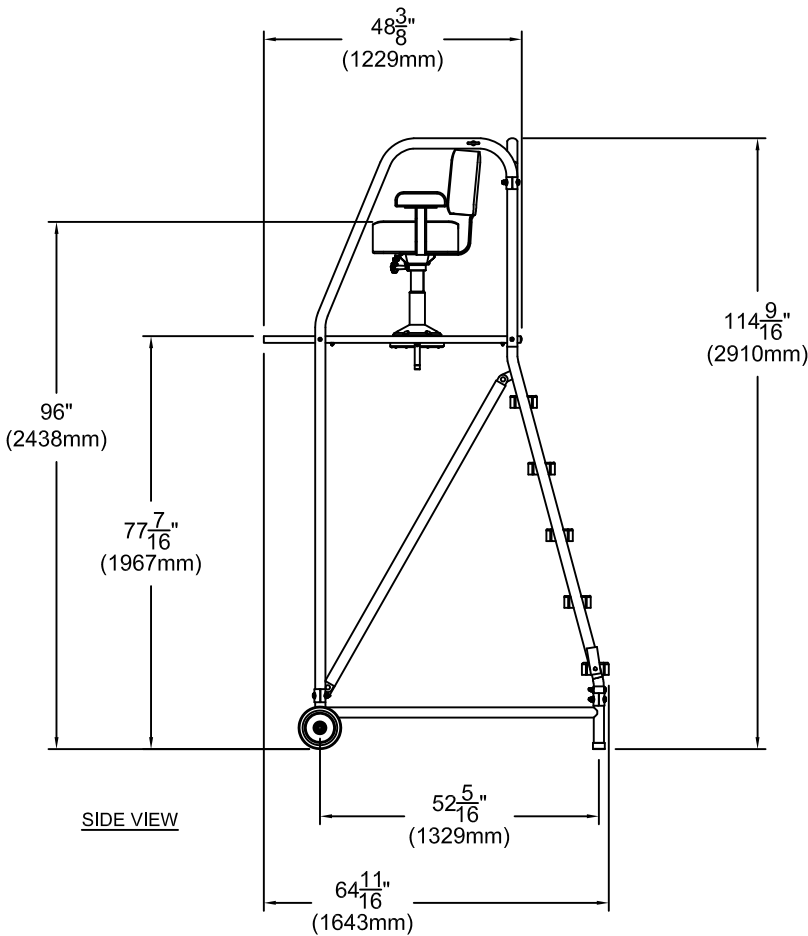


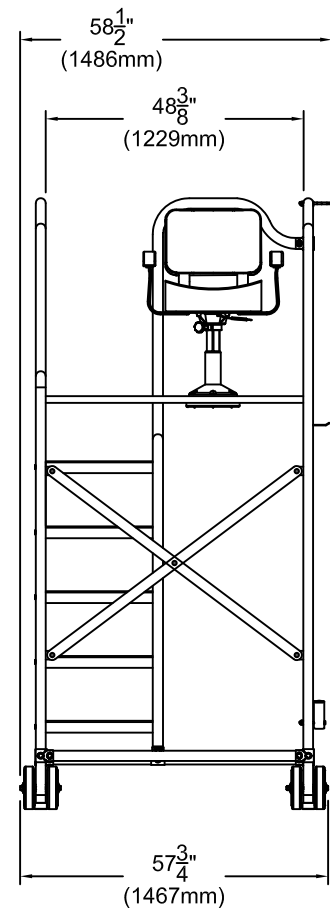
PLAN VIEW



3D VIEW



SIDE VIEW



FRONT VIEW



1-800-935-4878 • info@aquam.com

This document is, at all times, the property of Aquam Aquatic Specialist Inc., and may not be used or reproduced without written consent.

ULTRA LIFEGUARD CHAIR 8 FEET

PRODUCT NUMBER : SA-57428

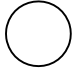










SCALE : 1 = 1/36

REVISION 01 : 2020 / 01 / 10

PAGE 1 / 2

SPECIFICATIONS

- ① THE DELUXE CAPTAIN STYLE CHAIR (PSA-57420-06) IS MOUNTED ON AN INCLINED STAINLESS STEEL PEDESTAL (PSA-57420-05). THE SEAT ROTATES 360° AND IS LOCATED AT 96" (2438mm) ABOVE THE POOL DECK.
- ② TUBING OF THE LIFEGUARD CHAIR IS SUPPLIED IN CONTINUOUS SMOOTH LENGTHS.
- ③ THE MAIN PLATFORM IS BUILT WITH A POLYESTER RESIN COVERED WITH FIBERGLASS, THE TOP PLATFORM IS PROVIDED WITH A WHITE NONSKID SURFACE. THE DIMENSION OF THE PLATFORM IS 48" (1219mm) x 48" (1219mm).
- ④ THE MOUNTING STEPS ARE BUILT OF WHITE ABS PLASTIC (DV-82440). THE STEPS ARE 20" (508mm) LONG, A WIDTH OF 5" (127mm) AND A THICKNESS OF 2⁵/₁₆" (59mm). THEY ARE INSTALLED AT AN ANGLE OF 15° AND HAS A NONSKID SURFACE.
- ⑤ THE BACK POSTS OF THE STRUCTURE HAVE RUBBER BUMPERS (DV-82488) INSTALLED ON THEM TO PREVENT DAMAGE TO POOL DECK TILES, AS WELL AS AID IN PREVENTING MOVEMENT OF THE CHAIR WHILE IN USE.
- ⑥ THE LIFEGUARD CHAIR IS PROVIDED WITH TWO WHEELS (PSA-57420-10) TO THE FRONT LEGS OF THE STRUCTURE, TO ALLOW FOR EASY MOVABILITY.
- ⑦ THE LIFEGUARD CHAIR IS PROVIDED WITH A RING BUOYS HOLDER WHICH IS ATTACH TO THE STRUCTURE (AC-83505). THE SUPPORT CAN BE REMOVED OR RELOCATED TO THE RIGHT OR LEFT SIDE OF THE CHAIR.
- ⑧ THE LIFEGUARD CHAIR IS PROVIDED WITH A RESCUE POLE HOLDER WHICH IS ATTACH TO THE STRUCTURE (SA-57617). THE SUPPORT CAN BE REMOVED OR RELOCATED TO THE RIGHT OR LEFT SIDE OF THE CHAIR.

COLOUR SELECTION										
NO COLOUR STANDARD	RAL 5010	RAL 7015	RAL 6029	RAL 1016	RAL 2004	RAL 3020	RAL 3003	RAL 5015	PANTONE 267C	BENGAL SILVER
										
<input type="checkbox"/>	<input type="checkbox"/>	<input type="checkbox"/>	<input type="checkbox"/>	<input type="checkbox"/>	<input type="checkbox"/>	<input type="checkbox"/>	<input type="checkbox"/>	<input type="checkbox"/>	<input type="checkbox"/>	<input type="checkbox"/>

GENERAL INFORMATION

- SS304
- ASTM-554
- 320 GRIT FINISH
- TUBING Ø1.90" (48mm) x .065 (2mm)

REPLACEMENT PARTS	
ITEM	DESCRIPTION
PSA-57420-05	ADJUSTABLE PEDESTAL FOR ULTRA CHAIR
PSA-57420-06	WHITE DELUXE CAPTAIN STYLE CHAIR
PSA-57420-10	WHEEL FOR ULTRA CHAIR
DV-82440	ANGLED 20" (508mm) WHITE TREAD
SA-57299	CART FOR ULTRA CHAIR
DV-82488	LADDER BUMPER Ø1.9" (48mm) x .065" (2mm)