



# MADE IN THE USA

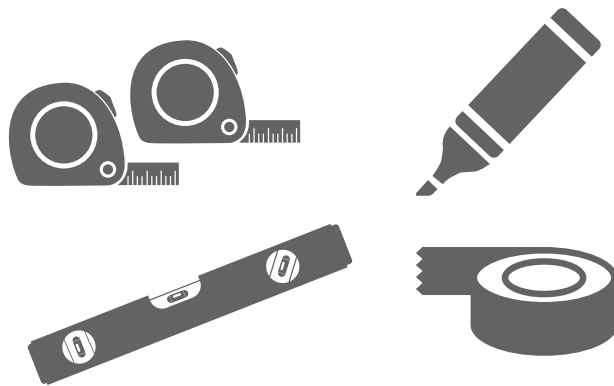
## ADA Easy Stair® Measuring Guide

Instructions for measuring your pool for the ADA Easy Stair

### *Before You Begin*

1. You will need the following items:

- Two measuring tapes\*
- A marker
- Masking tape
- A level



\* If you are using metric units please note so here: \_\_\_\_\_

2. Allow adequate time to perform this task. It should take approximately 15–20 minutes from start to finish. Read the instructions thoroughly before beginning.

3. Get Help! We strongly recommend 2 people for taking the measurements needed – 1 person in the water, and 1 person on the deck recording the measurements. **The legibility and accuracy of your measurements is critical** for the proper fit and construction of your pool stair.

**FAX or EMAIL your completed measurements to:  
585.735.9965 or [info@vpcfiberglass.com](mailto:info@vpcfiberglass.com)**

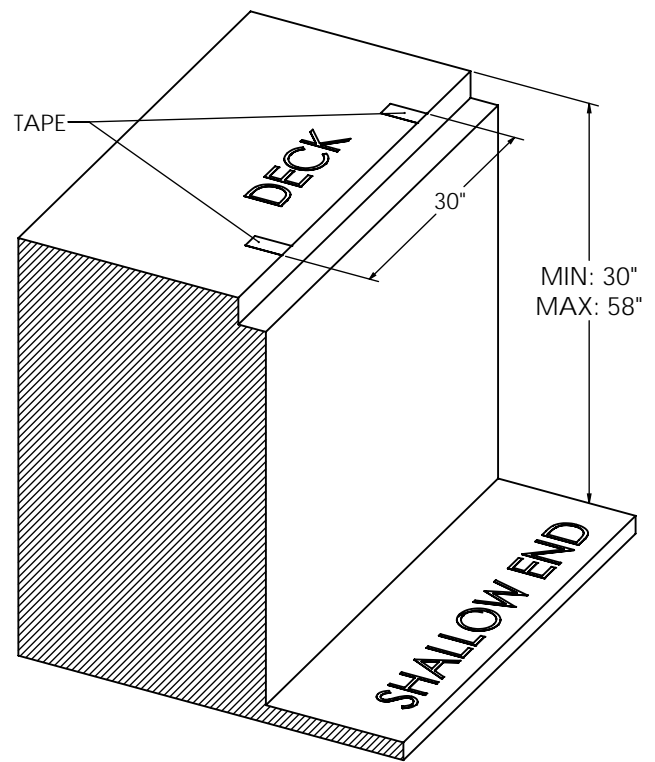
Don't forget to include any additional drawings or sketches you wish to attach. If you need assistance, please give us a call at 585. 735. 9668 (7am – 5pm M–F EST).

## STEP 1

### Determine a Location

Mark the pool deck with two pieces of masking tape 30" apart at the outer edge. This will represent the width of the installed ADA Easy Stair®.

The ADA Easy Stair should always be installed on a straight end or side wall. The minimum depth required is 36" and the maximum is 58" (measured from the deck level to the pool floor - **NOT** the water depth.)

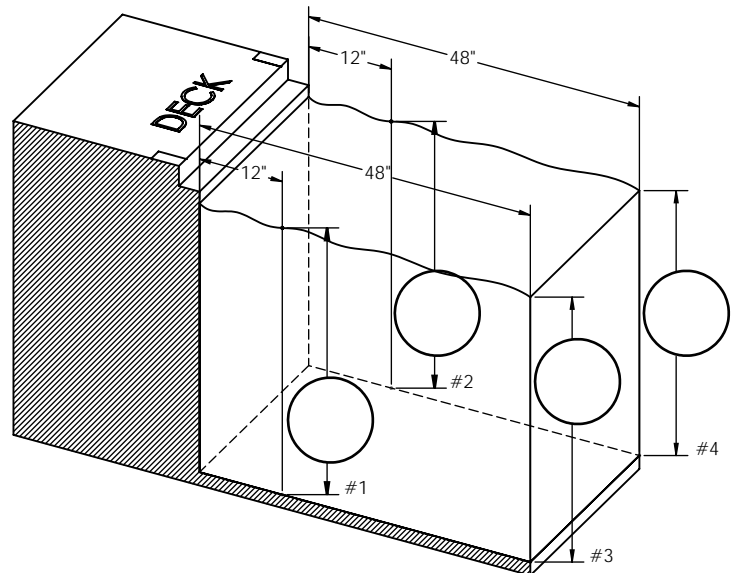


## STEP 2

### Determine the Water Depth at Four Points

Using a tape measure, measure out over the water surface 12" from the pool wall, then measure down for the distance from the water level to the pool floor at that point. Record the measurement in the appropriate circle and repeat this process for the second measurement, then move off to 48" and record the other two measurements.

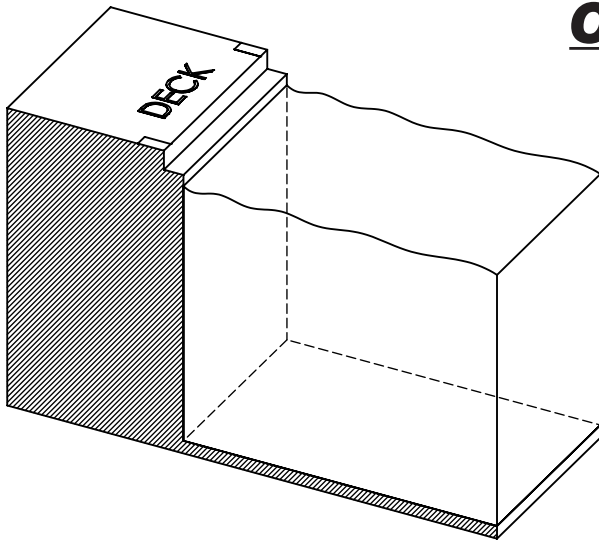
Once completed, these dimensions will help us to determine the actual distances from the **WATER SURFACE** to the **POOL FLOOR** at four points. We will also be able to determine what the floor pitch is, if any.



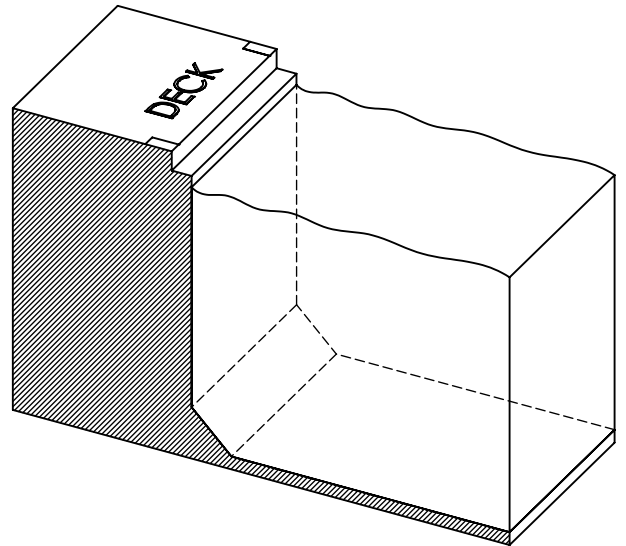
## STEP 3

### Determine the Pool's Floor/Wall Profile

Choose the diagram that most closely matches your pool wall/floor profile.



**OR**



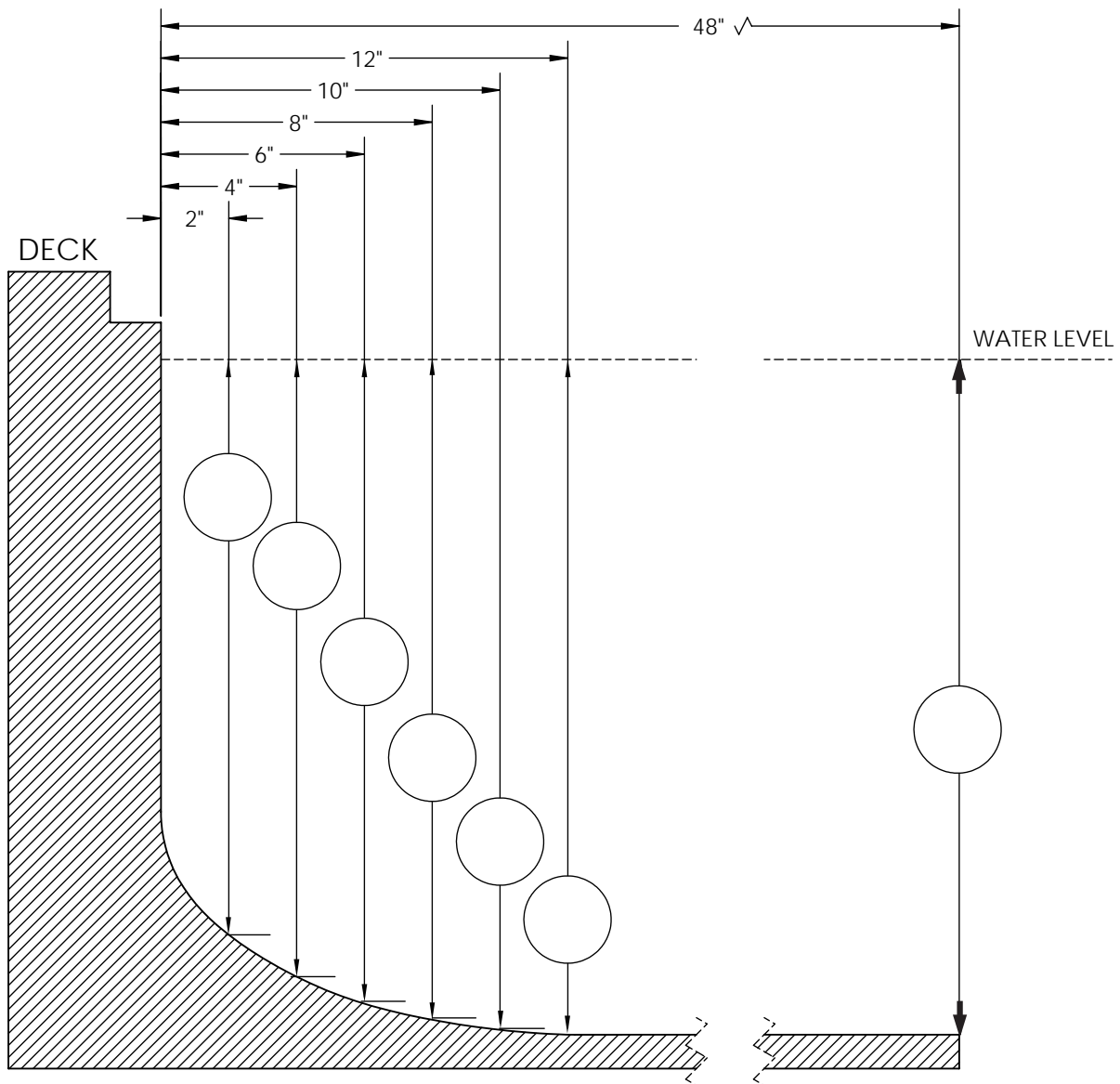
- SKIP TO STEP 4**  
if your pool's floor and wall  
meet at a **SHARP CORNER**.

- PROCEED NEXT PAGE**  
if your pool's wall and floor meet at a  
**ROUNDED** or **ANGLED CORNER**, proceed  
to take the measurements needed on  
the next page.

## STEP 3

### Continued: Determine the Pool's Floor/Wall Profile

Measure out over the water surface from the pool wall and down to the floor beginning at the 2" out. Repeat this process in 2 " increments up to 12" and then once at the 48". Record the measurements in the appropriate circles.



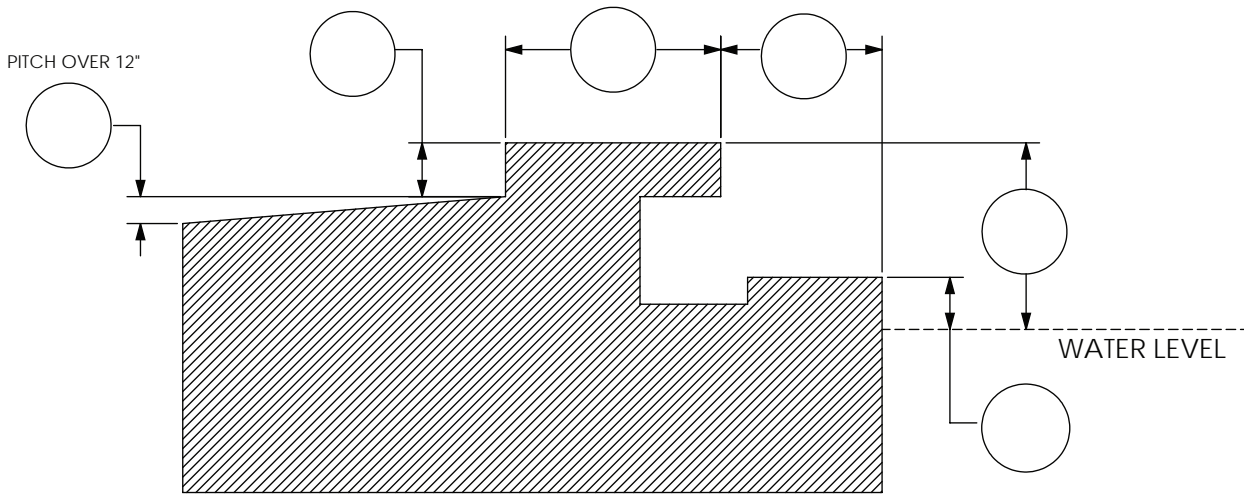


# STEP 4

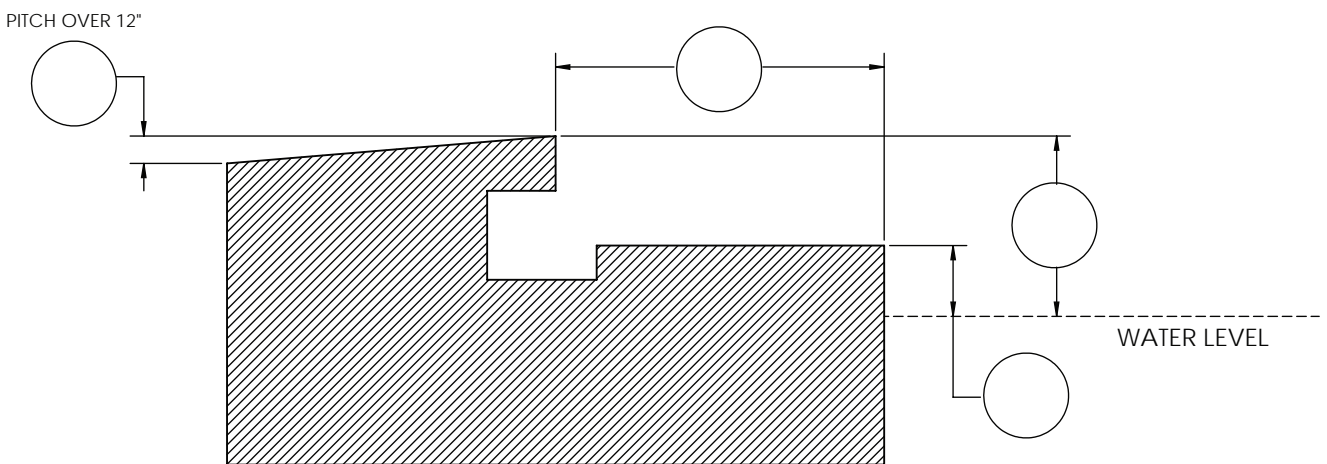
## Determine the Gutter Profile

Choose the diagram that most closely matches your pool's gutter profile and fill in the circles with the appropriate measurements. **When measuring for pitch please use your 12" level.** If your gutter is different from these, draw it on a separate sheet (use of attached grid paper optional) and submit it with your final measurements. **Make sure to include all of the gutter dimensions that are shown below.**

A



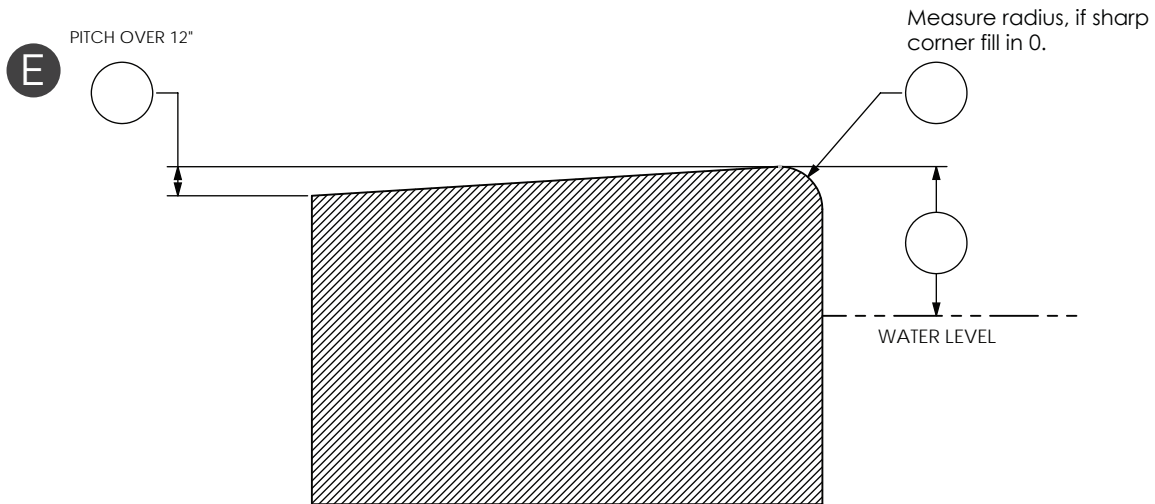
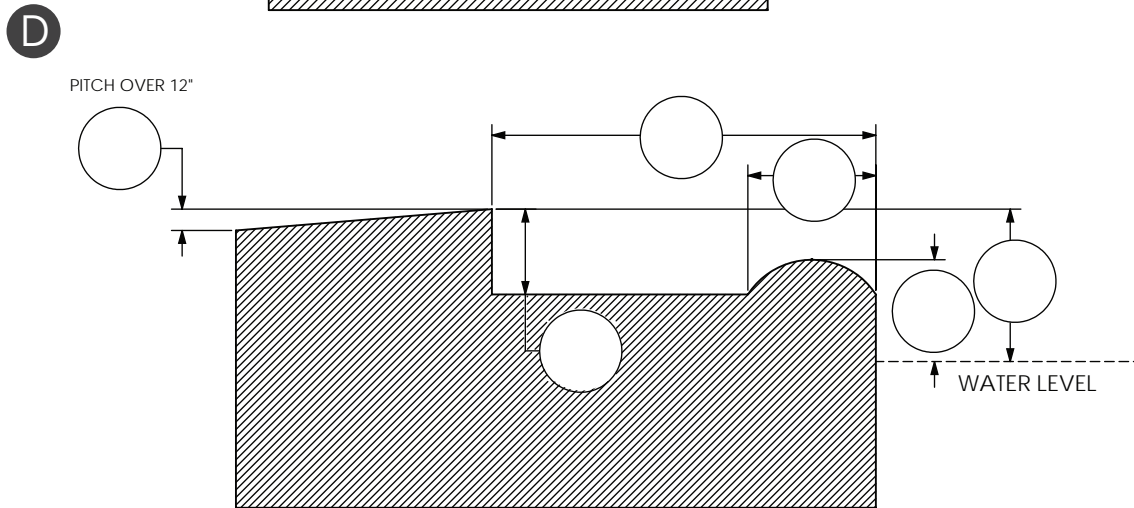
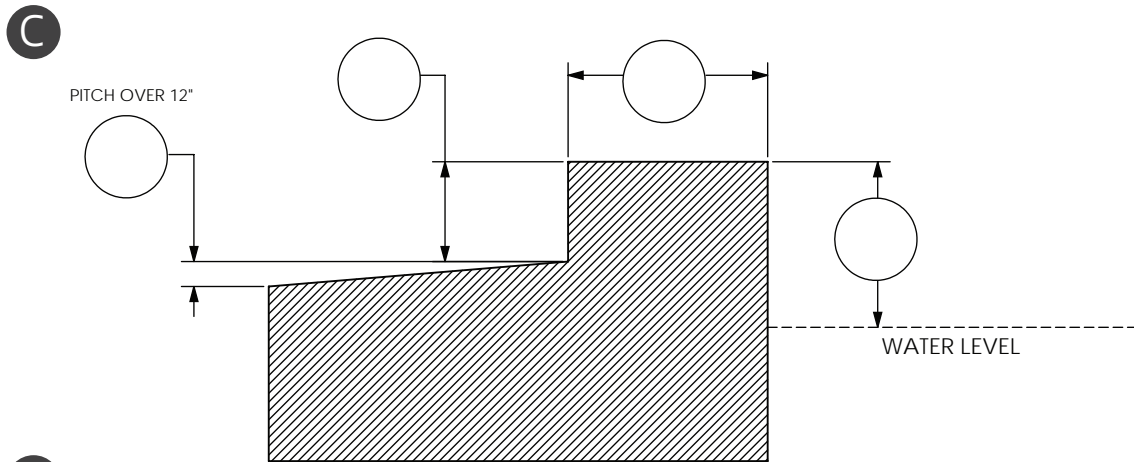
B



# STEP 4

## Continued: Determine Gutter Profile...

Make sure to include all of the gutter dimensions that are shown below.

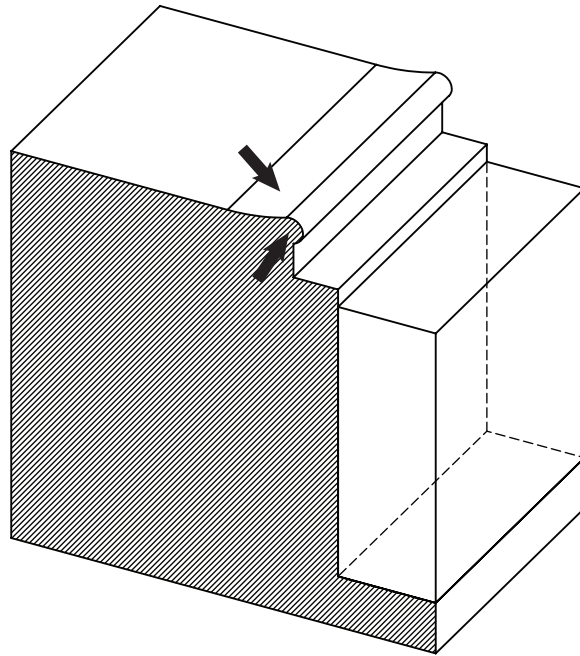


## STEP 5

### Does Your Pool Deck Have a Bull-Nose?

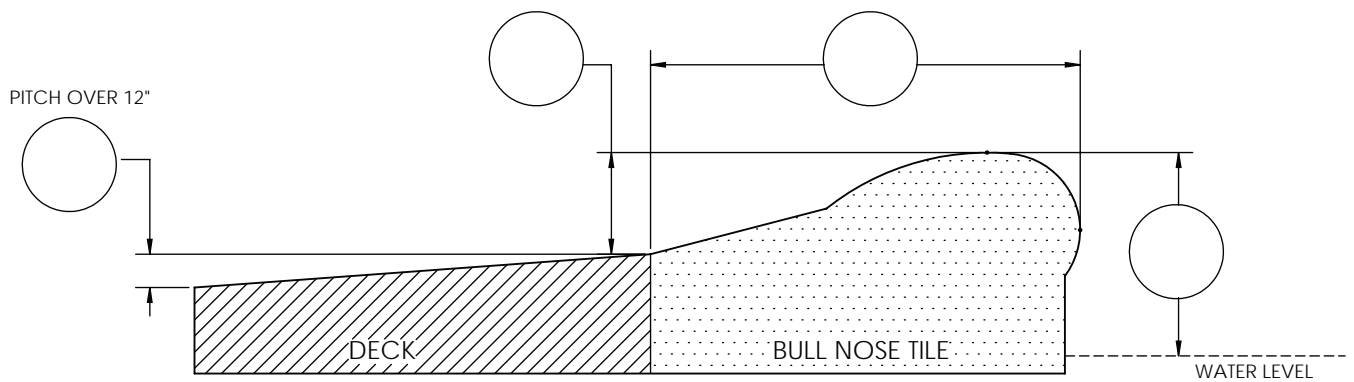
Some pool decks have bull-nose tile or coping stone that could interfere with the installation unless we know about it.

- NO - Skip to STEP 6
- YES - Proceed BELOW



### Bull-Nose Profile

Record your measurements in the bubbles below. If your pool's bull-nose profile is different from what's shown in the diagram, draw it on a separate sheet of paper and attach it with your completed measurements (use of attached grid paper optional).



## STEP 6

### ***Does Your Pool Have a Vinyl Liner?***

Pools that are equipped with vinyl liners require a "Vinyl Foot Adapter" that we will provide. It will prevent the ADA Easy Stair® from damaging your liner.

NO  YES

---

## STEP 7

### ***Select a Color for your ADA Easy Stair***

Medium Blue  Light Blue  Safety Yellow

---

### ***Contact Information***

Please tell us the name of the person who took these measurements and the best way to get in touch with you if we have questions.

Name: \_\_\_\_\_

Telephone #: \_\_\_\_\_

Email: \_\_\_\_\_

Best Time to Call: \_\_\_\_\_

Description of Pool Name or Location: \_\_\_\_\_

Use of Grid Paper Optional

